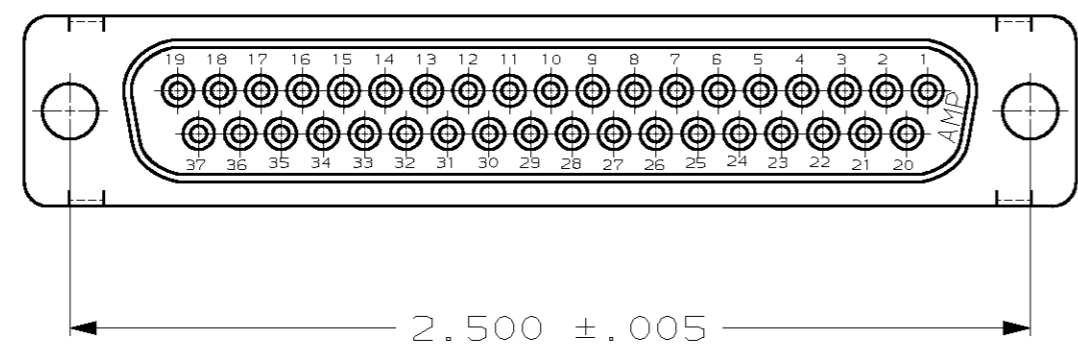
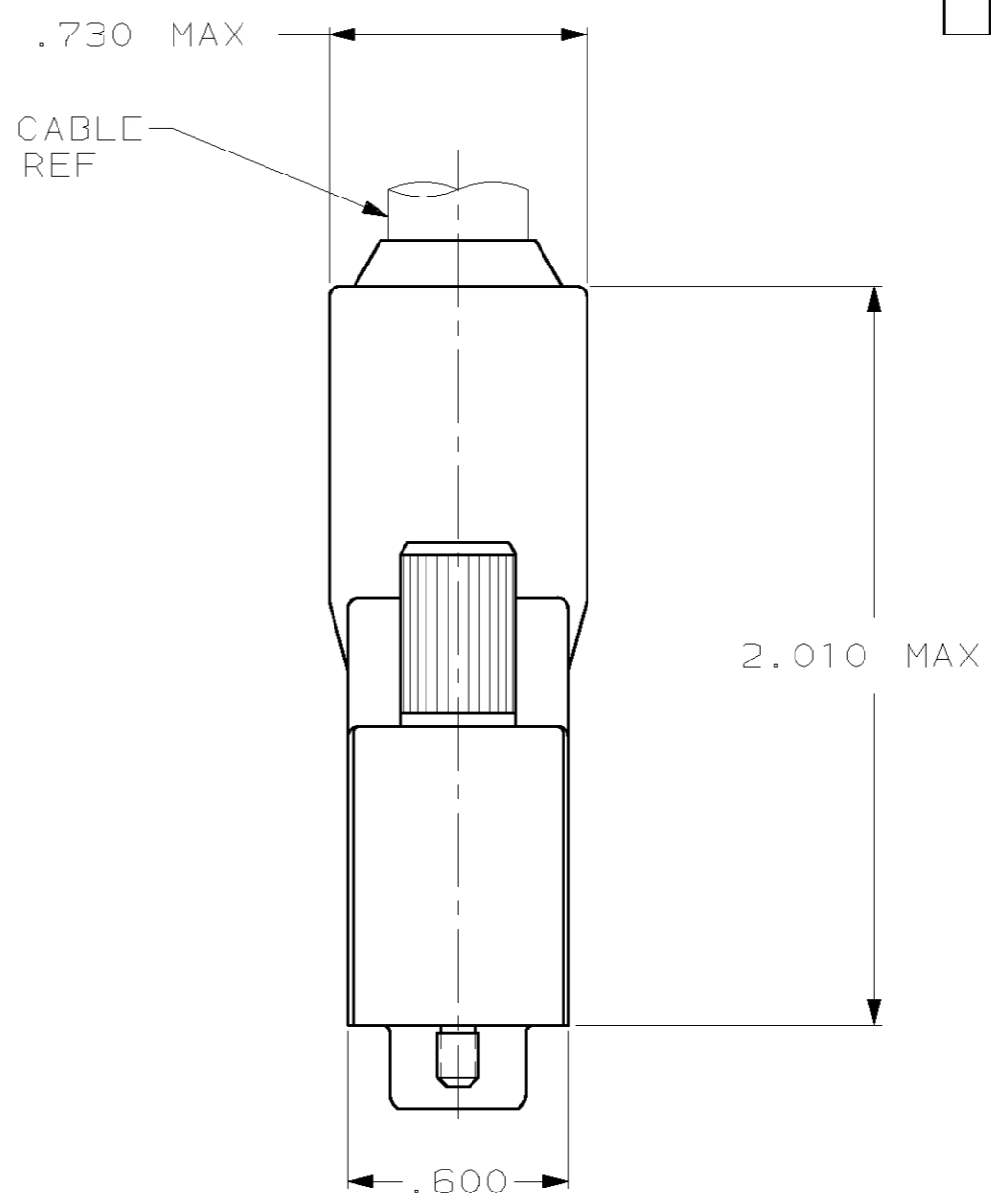
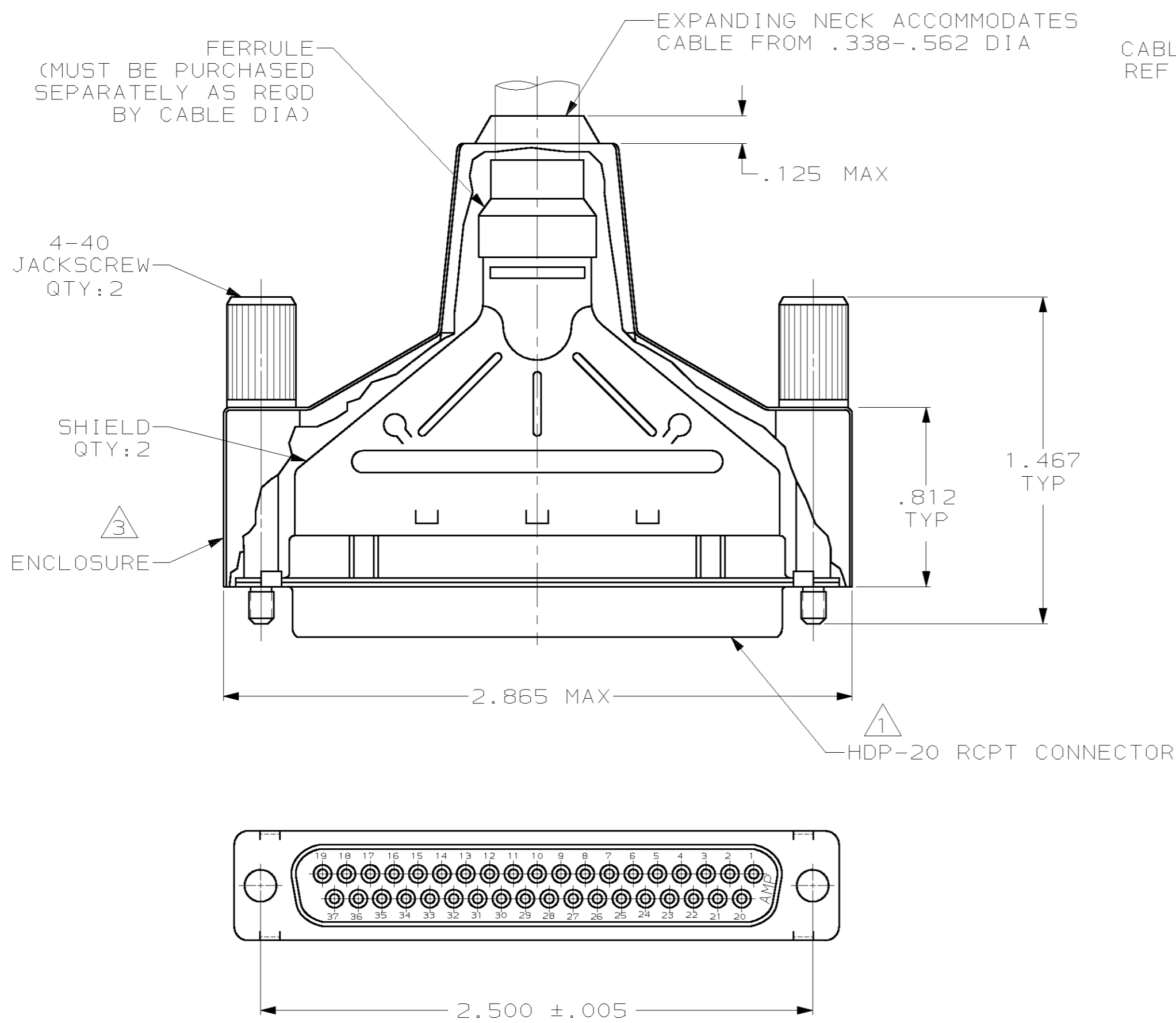


THIS DRAWING IS UNPUBLISHED. RELEASED FOR PUBLICATION
 (C) COPYRIGHT 19 BY AMP INCORPORATED. ALL RIGHTS RESERVED.

REVISIONS					
P	LTR	DESCRIPTION	DATE	DWN	APVD
0		RELEASED PER EC 0513-0196-03	31JUL03	JR	JG



- ① RCPT ACCEPTS SIZE 20 DF SOCKET CONTACTS. CONTACTS MUST BE PURCHASED SEPARATELY.
- 2. ALL PARTS SHIPPED UNASSEMBLED.
- ③ FLAME RETARDANT 94V-0 RATED, STYRENE POLYOLEFIN OR PVC, BLACK.
- ④ FLAME RETARDANT 94V-0 RATED GLASS FILLED, NYLON OR POLYESTER, BLACK.
- ⑤ STEEL PER ASTM A109.
- ⑥ .000200 MIN TIN PLATE OVER .000100 MIN COPPER UNDERPLATE.
- ⑦ ZINC PHOSPHATE COATING, BLACK.
- ⑧ COMPONENTS INDIVIDUALLY BULK PACKED.

⑧	W/LOGO	1658660-1
PACKAGING	REMARKS	PART NUMBER

THIS DRAWING IS A CONTROLLED DOCUMENT.		DWN	J.REITZEL	31 JUL03
DIMENSIONS:		CHK	S.BOLASH	31 JUL03
INCH		APVD	M.WALMSLEY	31 JUL03
TOLERANCES UNLESS OTHERWISE SPECIFIED:		PRODUCT SPEC	108-40030	
0 PLC	±-	APPLICATION SPEC	114-40030	
1 PLC	±-	WEIGHT	-	
2 PLC	±-	SCALE	A2 00779 C- 1658660	
3 PLC	±.020	RESTRICTED TO	-	
4 PLC	±-	SCALE	2:1 SHEET 1 OF 1 REV 0	
ANGLES	±-	CUSTOMER DRAWING		
MATERIAL INSERT: ④	FINISH	AMP Incorporated Harrisburg, PA 17105-3608		
SHELLS & SHIELDS: ③	SHELLS & SHIELDS: ③	NAME BULK KIT, RCPT, SHIELDING ENCLOSURE, SIZE 4, 37 POSN, AMPLIMITE™ HDP-20		
JACKSCREWS: ZINC ALLOY	JACKSCREWS: ⑦			